

TYPE F HIGH RISE CLIPS

COMPLY WITH CISPI 301-2012



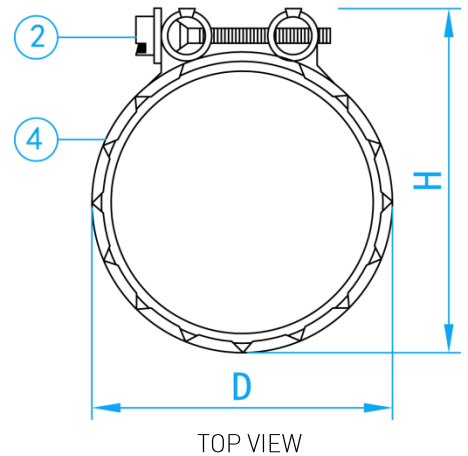
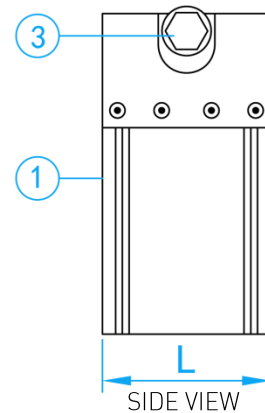
SKU: HUBC050F~HUBC080F



SKU: HUBC100F~HUBC150F



INSTALLATION ASSEMBLY



COMPONENT PARTS

ITEM	PARTS	MATERIAL
1.	Metal collar	Stainless steel 304
2.	Locking parts	Galvanized iron
3.	Slotted hex washer head bolt	Galvanized iron
4.	Gasket	EPDM

STANDARD SPECIFICATIONS

SKU	SIZE (mm)	H (mm)	D (mm)	L (mm)	BOLT	BAR	INSTALL TORQUE (Nm)	WEIGHT (kg)
HUBC050F	50	85.4	69.8	50±1	GI M8 Slotted Hex Washer Head Bolt	0.5	7.5	0.20
HUBC080F	80	109.7	94.4	54±1	GI M8 Slotted Hex Washer Head Bolt		7.5	0.25
HUBC100F	100	140.0	118.3	54±1	GI M8 Slotted Hex Washer Head Bolt		7.5	0.30
HUBC150F	150	190.4	174.0	77±1	GI M8 Slotted Hex Washer Head Bolt		7.5	0.56
HUBC200F	200	257.8±2	220.0	104±1	GI M8 Slotted Hex Washer Head Bolt		7.5	1.08